

Barry Stoodley Pty Ltd

JOST Spare Parts for Modul

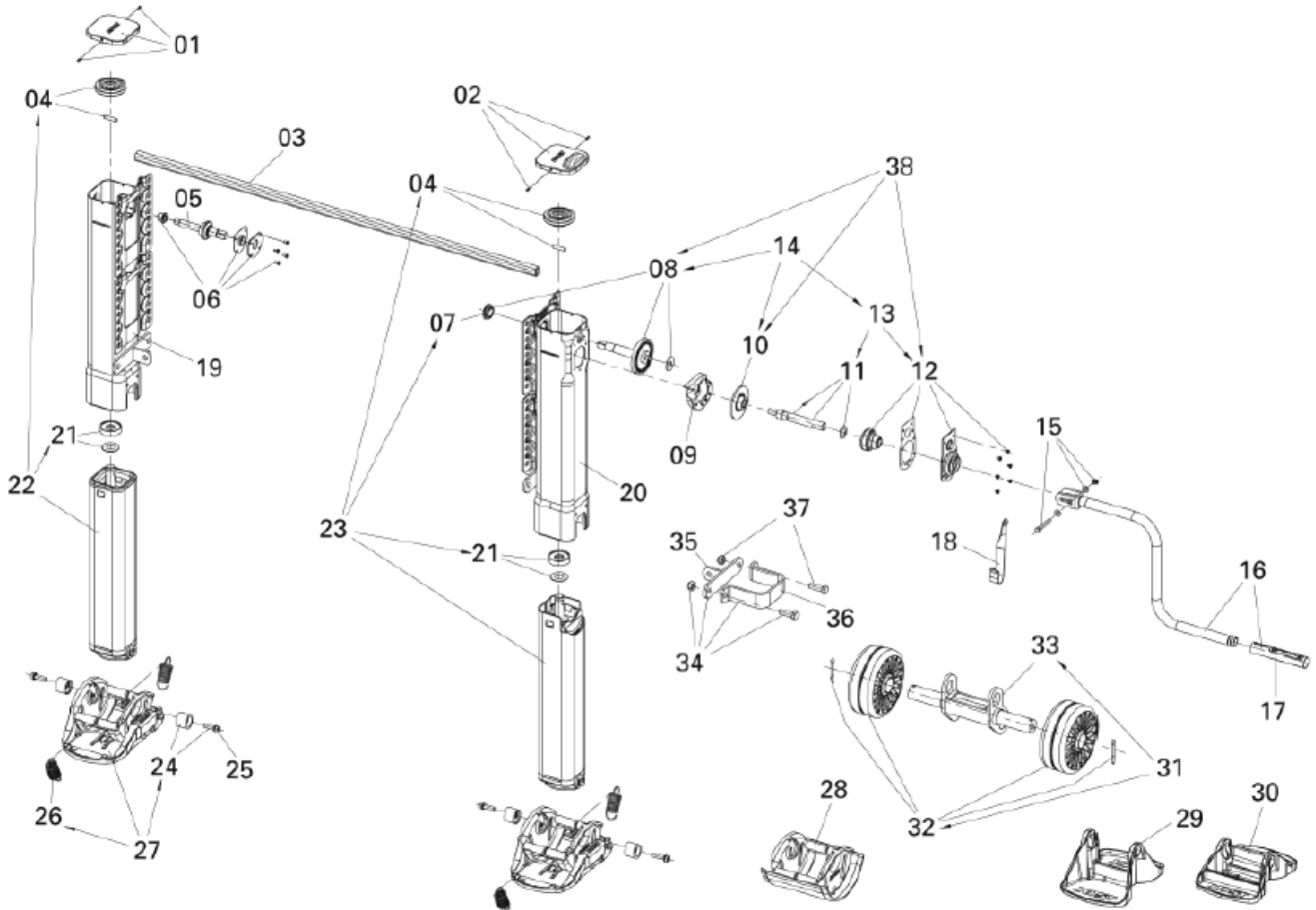


Fig.	Description	Part No.
1	Cover, left with bolts	JS E0046100
2	Cover, right with bolts	JS E0046300
3	See individual components	
4	Bevel gear with bolt	JS E0058600
5	Shaft	JS E0001500
6	Bearing, complete	JS E0046200
7	Bearing	JS E0001800
8	Shaft with bearing	JS E0058700
9	Grease tank	JS E0002000
10	Gear wheel	JS E0055800
11	Crankshaft, complete	JS E0046500
12	Bearing holder, complete	JS E0058800
13	Crankshaft and bearing holder, compl. 12 +11	JS E0056600
14	Drive, complete 8, 10 + 13	JS E0083700
15	Bolt with washers and nuts	JS E0043100
16	See individual components	
17	Crank bushing	JS E0042700
18	Crank parking hook for crank 415-480mm	JS E0040201
	Crank parking hook for crank 520mm	JS E0040202
19	*Mh-02/850 shaft left	JS E0031801
	*Mh-03/800 shaft left	JS E0031802
	*Mh-05/700 shaft left	JS E0031804
20	*Mh-02/850 shaft right	JS E0028601
	*Mh-03/800 shaft right	JS E0028602
	*Mh-05/700 shaft right	JS E0028604
21	Axial bearing with washer	JS E0066401

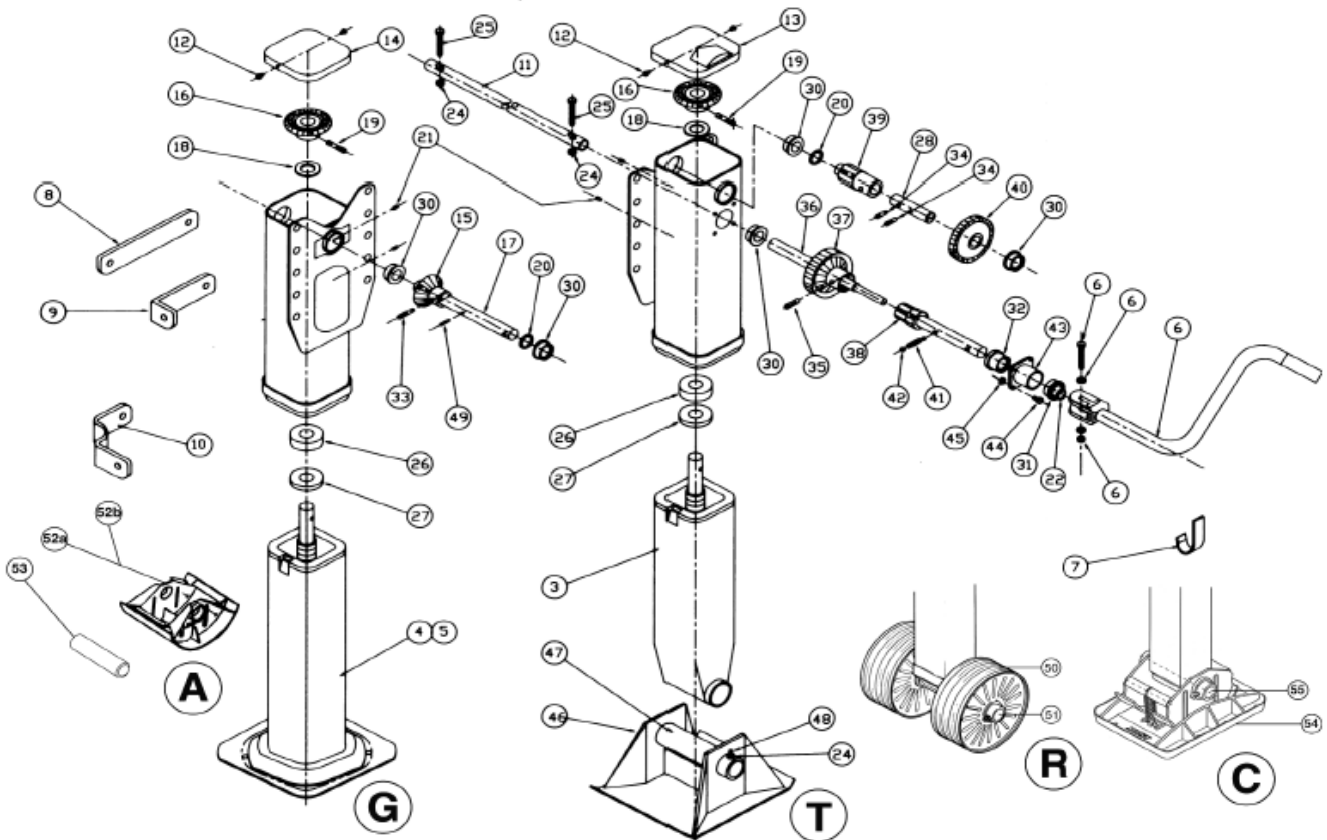
Fig.	Description	Part No.
22	*Mh-02/850 in. tube l. + spindle	JS E0056402
	*Mh-03/800 in. tube l. + spindle	JS E0056403
	*Mh-05/700 in. tube l. + spindle	JS E0056405
23	*Mh-02/850 in. tube r. + spindle	JS E0056202
	*Mh-03/800 in. tube r. + spindle	JS E0056203
	*Mh-05/700 in. tube r. + spindle	JS E0056205
24	Nut and bolt	JS E0043300
25	Bolt	JS E0055300
26	Spring	JS E0012900
27	S foot, complete	JS D01
28	A foot, complete	JS D02
29	T foot, complete	JS D04
30	Tc foot, complete *	JS D06
31	R foot, complete *	JS D03
32	Wheels with split pins	JS E0062200
33	Wheel holder	JS E0067300
34	Clamp with angle	JS E010.010
35	Angle	JS E010.001
36	Clamp	JS E010.002
37	Nut and bolt	JS E020.004
38	Drive repair kit	JS E0059200
Individual Components, Accessories and Repair Kits		
3	Connection shaft 1790mm	JS L10
16	Crank 450mm with parking hook	JS U03
	Crank 520mm with parking hook	JS U05

* With the 06/TC foot version, item 30, the installation height Mh is reduced by 50mm

* With the 06/TC foot version, item 30, the installation height Mh is reduced by 50mm

Barry Stoodley Pty Ltd

JOST A400 series Spare Parts



INDIVIDUAL COMPONENTS

Item	Description	Qty.	Part No.	Item	Description	Qty.	Part No.
6	Standard Crank w/Hardware 17 ^{3/4"}	1	C10592.4	36	Output Cluster Shaft	1	B10236
7	Crank Hanger	1	B10261	37	Output Cluster Gear	1	C10234
10	Brace Lug - W	2	C10108	38	Input Gear Shaft	1	C10233
11	Intermediate Cross Shaft	1	B10066	39	Output Spur Gear	1	C10078
12	Cover Screw	4	A10059.1	40	Input Spur Gear	1	C10085
13	Cover - 2 Speed	1	C10217	41	Detent Spring	1	A10049
14	Cover - 1 Speed	1	C10259	42	Detent Ball	2	A10048
15	Pinion Gear	1	C10177	43	Shift Housing incl.31,32	1	B10229*
16	Bevel Gear	2	C10155		Shift Housing incl.41,42	1	B10229-S
17	Pinion Shaft - 1 Speed	1	B10130	44	Shift Housing Bolt	4	A10230
18	Thrust Washer	2	A10102	45	Self Locking Nut	4	A10038.6
19	Grooved Pin	2	A10052.3	46a	Shoe - 10" x 10" x 4 1/2" Standard	2	C10035
20	Spacer Washer	2	A10218	46b	Low Profile T Foot	2	C10135
21	Grease Fitting	4	A10040	47	Shoe Axle	2	B10036
22	Grease Seal	1	A10283	48	Hex Head Bolt	2	A10037.3
24	Self Locking Nut	4	A10038.7	49	Roll Pin - 1/4" x 1/4"	1	A10054.6
25	Cross Shaft Bolt - 3/8" x 2" Gr5	2	A10037.1	50	9" Dia Standard Wheel	4	C10342
26	Thrust Bearing	2	A10033	51	Wheel Axle	2	B10300
27	Collar	2	A10101	52a	Air Suspension foot (pressed type)	2	C10994
28	Output Shaft	1	A10212	52b	Air Suspension foot (fabricated)	2	C10000
30	Bushing	2	A10255	53	Axle for pressed air foot	2	B10036.1
33	Roll Pin - 3/8" x 1 1/2"	1	A10054.3	54	Compensating foot	2	C20000
34	Spiral Pin	2	A10260.1	55	Axle for compl. foot	2	B10036.1
35	Roll Pin - 3/8" x 1 3/4"	1	A10054.7				

*Not Available as single item, included in part number 43

COMPONENT ASSEMBLIES

Item	Description	14" Travel	Part No.	17" Travel	19" Travel
3	Inner Leg Assy. - Standard	C10140.1	C10140.2	C10140.3	
4	Inner Leg Assy. - 10" Cushion	C10146.1	C10146.2	C10146.3	

FOOTWEAR OPTIONS

Description	Order Code	Description	Order Code
10" x 10" Cushion Foot	G	Compensating foot	C
9" Dia. Standard Wheels	R	10" x 10" x 4 1/2" Sand Shoes	T
Air Suspension	S	Low Profile T	T1